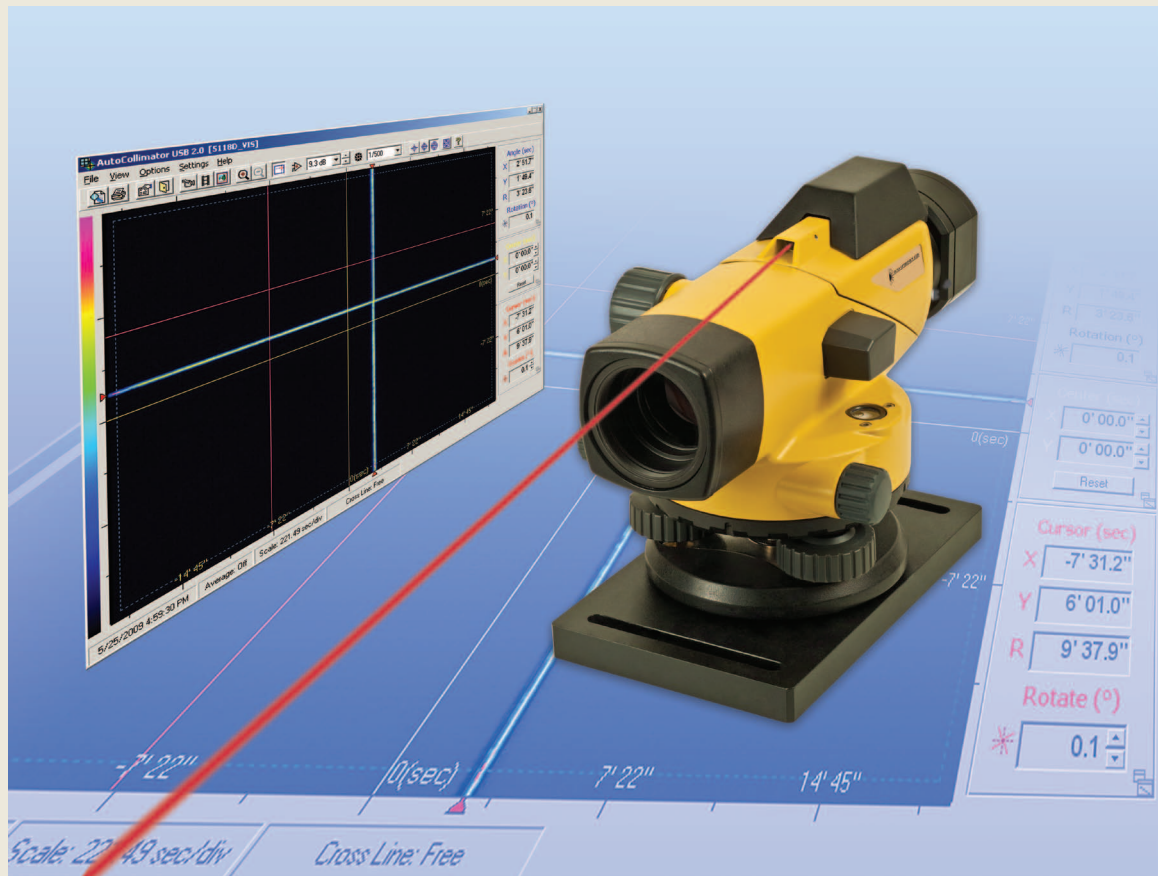


# Electronic Autocollimator

*A precision USB 2.0 device combining the functionality of autocollimator and alignment telescope*

Our Precision Electronic autocollimator has built in adjustment features, such as: coarse alignment laser, leveling bubble, adjustment pan tilt knobs, enabling unprecedented enhancement alignment procedure.



## Main Applications

The Autocollimators applications are mainly related to the detection and measurement of small angular displacements. Examples include:

- Measurement of mirror angle
- Straightness measurement of linear stages
- Characterization of rotation stage
- Measurement of wedge, prism and polygon angles
- Measurement of reflecting surface parallelism
- Measurement of surface flatness
- Alignment of optical setups
- Machine alignment
- CD/DVD ROM alignment
- Thermal stability measurements
- Vibration analysis

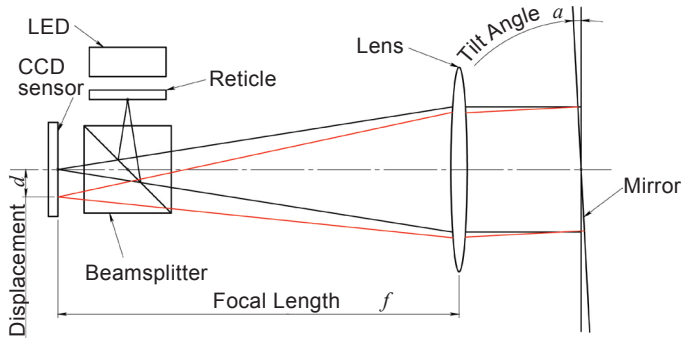


**DUMA OPTRONICS LTD.**

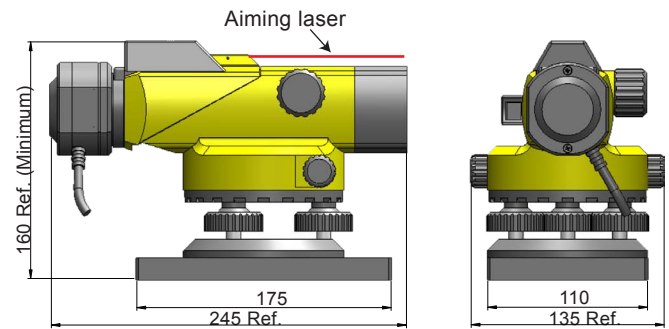
Phone: 0755-84870203, sales@highlightoptics.com,  
www.highlightoptics.com

# Measurement Specifications

## Concept



## Mechanical Dimensions



Dimensions are in mm

# Specifications

### Field of view

**Autocollimator**

42' (H) (2520 sec of arc)

**Telescope**

84' (H) (5040 sec of arc)

### Resolution

0.1 sec

### Accuracy

2.5 sec

### CCD Camera

1/2" (1/3" Optional)

### Light Source

LED

### Interface

USB 2.0

### Clear aperture

36mm

### Built in focusing feature

**Focusing range**

30cm to infinity

**Bore sight retention**

±5 sec

### Objective aperture

36 mm

### Retro-reflector for alignment

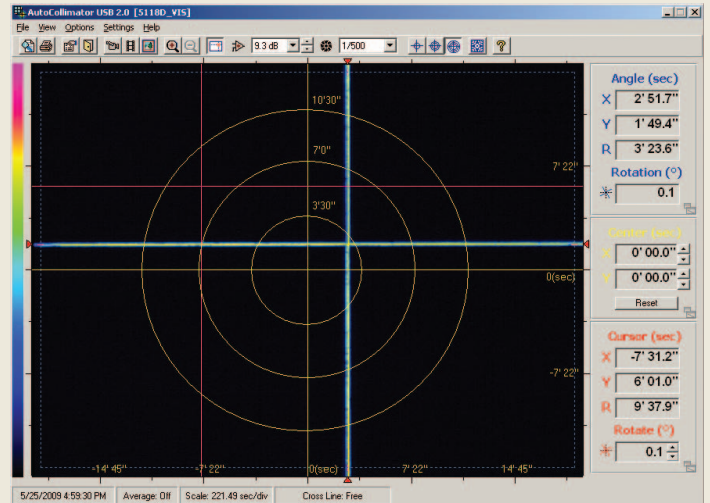
Ø64mm, N.W. 280g  
Thread Ø16mm, <5"

### Coarse alignment laser

638nm power <1.0 mW  
Class 2 laser product, IEC60825-1

### Weight

2.5 kg including cable



**Built in pan tilt adjustment**

**Built in coarse aiming laser**

## Hardware Requirements

Pentium IV, 2.4GHz , 512MB RAM, 10MB Free HDD, 64 MB 24 bit color VGA card, 1 free High Speed USB2.0 port, CD ROM any type, Win XP/7/8.

## Ordering Information

**PN: EAC-1012** Complete system including a collimator unit with USB2.0 CCD camera, software on CD disk, retro-reflector for infinity adjustment.

## Features

- Automatic angle deviation display
- Relative measurements
- Multiple results display
- Low Light - low reflection capability
- Reticule targets (single or multiple)
- Data logging with detailed statistics
- Software controlled electronic shutter & gain
- Data exporting to another computer via RS232 or TCP/IP
- Video with playback, snapshot files

**DUMA OPTRONICS LTD.**

Phone:0755-84870203,sales@highlightoptics.com,  
www.highlightoptics.com